

## SLIM-MICROREDLOCK

### PROFESSIONAL TECNODIMENSIONE ELECTRICAL DROP BOLT

Anti-panic "fail-safe" models (designed to disengage in the event of power failure). With door approaching sensor, flange and reference counterflange. Enables the doors to be closed with a steel bolt head.

One unit... for 4 different needs.

- 1<sup>st</sup> Conventional wiring installation with screw-type terminal board via converter = **FLEXICON**
- 2<sup>nd</sup> Ultra-slim and compact design to suit all door frame sections = **SLIM**
- 3<sup>rd</sup> Equipped with Kit SCP to compensate distance between door frame and door-post. Adaptable to any type of frame = **REGOSTRIKE**
- 4<sup>th</sup> Fail-safe; it automatically unlocks in the event of power failure freeing the door for emergency exit also in the event of fire = **FAIL-SAFE**

**FOR FLUSH  
MOUNTING**



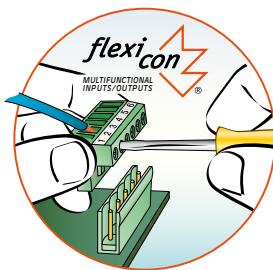
PERFECT FOR STERILE ROOMS.

### 1<sup>st</sup> flexi-con

MULTIFUNCTIONAL  
INPUTS/OUTPUTS

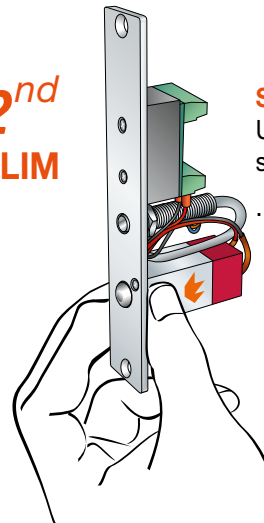
Ideal for the installation on existing door frames in combination with conventional wiring systems and to be interfaced with any control unit such as PLC, microprocessor boards or conventional electronics.....

... it's **FLEXICON!**



### 2<sup>nd</sup> SLIM

**SLIM-MICROREDLOCK**  
Ultra-slim and compact for very small door frame profiles...  
... it's **SLIM!**

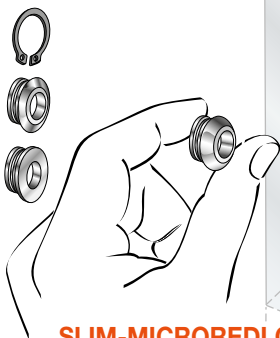


### 4<sup>th</sup> FAIL-SAFE



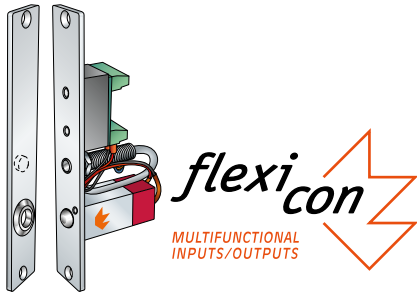
**SLIM-MICROREDLOCK**  
Automatic fail-safe unlock = bolt "in" without power, bolt "out" when powered. In the event of fire or power failure it automatically unlocks freeing the exit...  
... it's **FAIL-SAFE!**

### 3<sup>rd</sup> REGOSTRIKE



**SLIM-MICROREDLOCK**  
Adaptable to all types of door frames thanks to kit "SCP", consisting of three bushings that can be interchanged on the counterflange in order to perfectly adjust the distance between door frame and door-post...

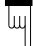
... it's **REGOSTRIKE!**



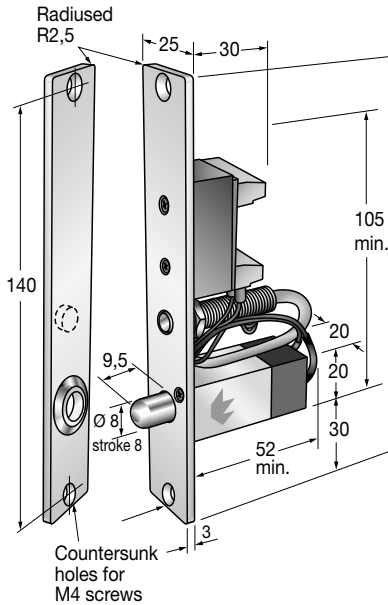
**PROFESSIONAL ELECTRICAL DROP BOLTS**  
**SLIM-MICROEDLOCK**  
 "FLEXICON"  
 with screw-type terminal board for conventional cabling

**Export Product-list**  
 January 2018  
  
**TECNODIMENSIONE®**

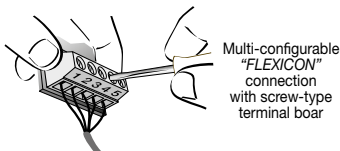
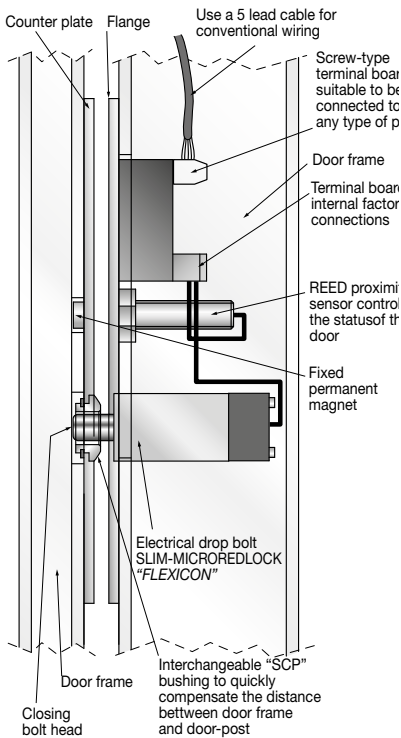
Micro electrical drop bolt for recess mounting with flange and counterflange in anodised aluminium with "silver" finish. Ideal for "clean rooms".

Ordering information 			Q.ty
<b>MODELS</b>			N°

**SLIM-MICROEDLOCK "FLEXICON"**  
 For recess mounting



**EXAMPLE OF RECESS-MOUNTING ON THE DOOR FRAME**



Series REDLOCK (fail safe) "anti-panic" model = The bolt head "projects" when the coil is powered or otherwise "retracted".  
**In the event of fire, the SLIM-MICROEDLOCK electrical drop bolt is automatically released to enable a safe and controlled evacuation.**

**Models for 12Vdc power supply**

SLIM-MICROEDLOCK micro-electronic lock for recess-mounting with "FLEXICON" technology, with screw-on terminal box for conventional wiring to any management unit, such as PLCs, microprocessor boards or conventional electronics.  
 - Fail-safe (anti-panic) version with 100% ED coil for uninterrupted functioning.  
 - Includes a Reed sensor to control the approaching of the door (axially adjustable).  
 - 12 Vdc/390 mA power supply  
 Accessories supplied as standard: Counterflange with kit "SCP" that includes 3 bushings in chromium-plated steel to compensate the port.

<b>00803A2FZM</b>			
-------------------	--	--	--

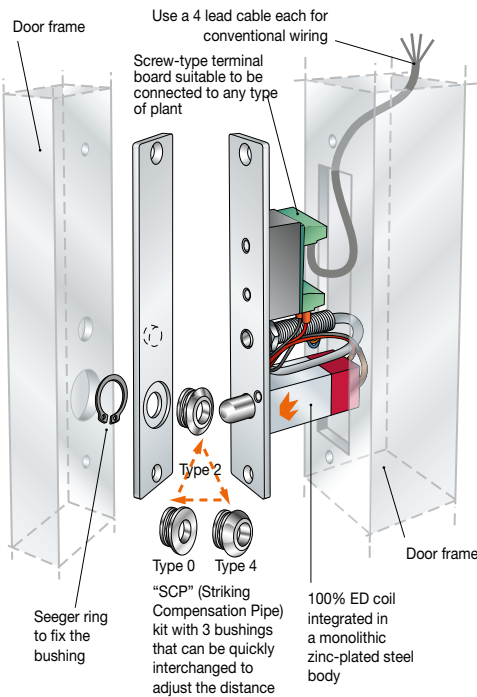
**Models for 24Vdc power supply**

SLIM-MICROEDLOCK electrical drop bolt for recess mounting with "FLEXICON" technology, as above, but for 24 Vdc/200 mA power supply.

<b>00803A4FZM</b>			
-------------------	--	--	--

**Note:**  
 1) The special "SCP" compensation kit is supplied as standard and with 3 interchangeable bushings (choose the most suitable one, as shown in the figure on the side) enables to compensate the port and precisely adjust it. It is in fact important to verify that at least 4/5 of the length of the bolt head on the electrical drop bolt is inserted in the "hole" on the counterflange (reference bushing) when it is projecting (so that the door can be closed).  
 2) Standard models are designed to be fitted for "horizontal striking".  
 Types for vertical (downwards or upwards) striking, by special request.

**WIRING EXAMPLE**



**Kit "SCP" (Striking Compensation Pipe) kit to quickly compensate distance between door frame and door-post**

